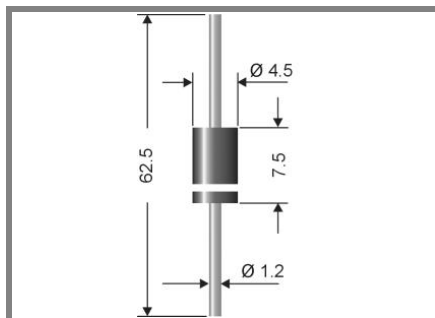


1N 5383B...1N5388B



Axial lead diode

Zener silicon diodes

1N 5383B...1N5388B

Maximum Power Dissipation: 5 W

Nominal Z-voltage: 150 to 200 V

Features

- Max. solder temperature: 260°C
- Plastic material has UL classification 94V-0
- Standard Zener voltage tolerance is (5%) standard. Other voltage tolerances and higher Zener voltages on request.

Mechanical Data

- Plastic case DO-201
- Weight approx.: 1 g
- Terminals: plated terminals solderable per MIL-STD-750
- Mounting position: any
- Standard packaging: 1700 pieces per ammo

1) Valid, if leads are kept at ambient temperature at a distance of 10 mm from case

2) Tested with pulses

Absolute Maximum Ratings		T _c = 25 °C, unless otherwise specified	
Symbol	Conditions	Values	Units
P _{tot}	Power dissipation, T _A = 50 °C ¹⁾	5	W
P _{ZSM}	Non repetitive peak power dissipation, t < 10 ms	80	W
R _{thA}	Max. thermal resistance junction to ambient	25	K/W
R _{thT}	Max. thermal resistance junction to terminal	8	K/W
T _j	Operating junction temperature	-50...+150	°C
T _s	Storage temperature	-50...+175	°C

Type	Zener Voltage ²⁾ V _{Z@I_{ZT}}		Test curr. I _{ZT} mA	Dyn. Resistance Z _{ZT@I_{ZT}} Ω	Temp. Coeffiz. of V _Z a _{VZ} 10 ⁻⁴ /°C	I _R μA	V _R V	Z-curr. ¹⁾ T _A = 50 °C I _{Zmax} mA
	V _{Zmin} V	V _{Zmax} V						
1N 5383B	142	158	8	330	-	5	> 114	32
1N 5384B	151,5	168,5	8	350	-	5	> 122	30
1N 5385B	161	179	8	380	-	5	> 129	28
1N 5386B	170,5	189,5	5	430	-	5	> 137	26
1N 5387B	180	200	5	450	-	5	> 144	25
1N 5388B	189	211	5	480	-	5	> 152	24